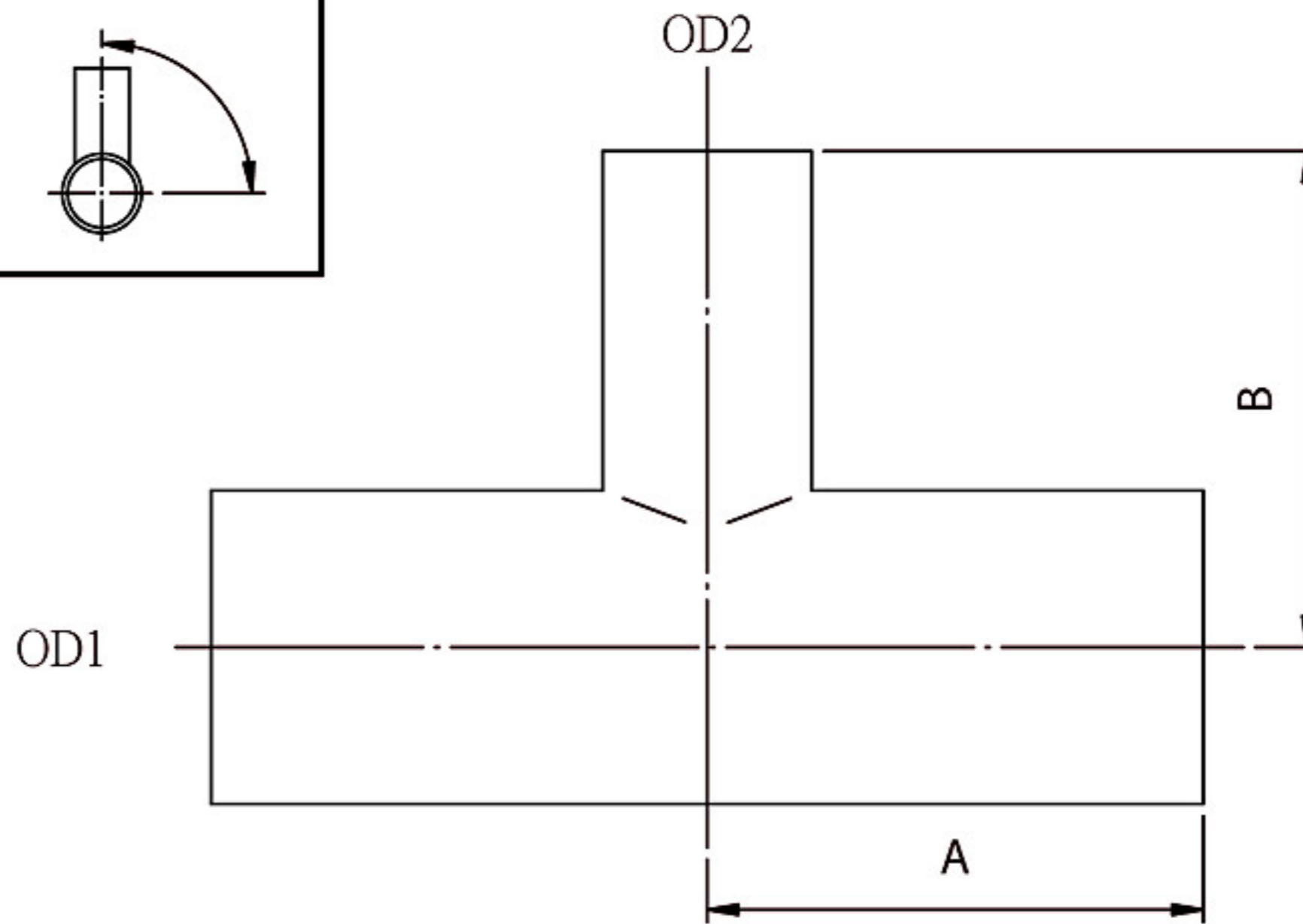
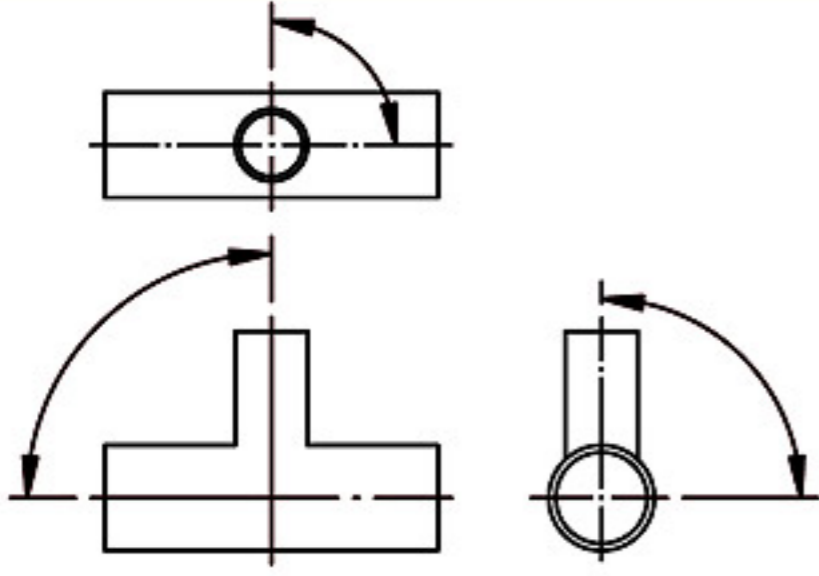


# Gillson Enterprise Co.,Ltd

## REDUCING TEE

水平度及垂直度公差皆為±0.3°

TUBE SIZE(INCH-SIZE)



| SIZE<br>OD1 | SIZE OD2 |        |        |      |     |     |     |     | A   | B   |
|-------------|----------|--------|--------|------|-----|-----|-----|-----|-----|-----|
| 1/4"        |          |        |        |      |     |     |     |     |     |     |
| 3/8"        | 1/4"     |        |        |      |     |     |     |     | 37  | 37  |
| 1/2"        | 3/8"     | 1/4"   |        |      |     |     |     |     | 39  | 39  |
| 5/8"        | 1/2"     | 3/8"   | 1/4"   | 8A   |     |     |     |     | 47  | 44  |
| 3/4"        | 1/2"     | 3/8"   | 1/4"   | 8A   |     |     |     |     | 47  | 44  |
|             | 5/8"     | 10A    |        |      |     |     |     |     | 52  | 52  |
| 1"          | 1/2"     | 3/8"   | 1/4"   | 8A   |     |     |     |     | 47  | 47  |
|             | 3/4"     | 5/8"   | 15A    | 10A  |     |     |     |     | 55  | 55  |
| 1-1/4"      | 1/2"     | 3/8"   | 1/4"   | 8A   |     |     |     |     | 47  | 50  |
|             | 1"       | 3/4"   | 5/8"   | 20A  | 15A | 10A |     |     | 59  | 59  |
| 1-1/2"      | 1/2"     | 3/8"   | 1/4"   | 8A   |     |     |     |     | 57  | 54  |
|             | 1-1/4"   | 1"     | 3/4"   | 5/8" | 25A | 20A | 15A | 10A | 68  | 62  |
| 2"          | 1/2"     | 3/8"   | 1/4"   | 8A   |     |     |     |     | 57  | 57  |
|             | 1-1/4"   | 1"     | 3/4"   | 5/8" | 25A | 20A | 15A | 10A | 68  | 65  |
|             | 1-1/2"   | 40A    | 32A    |      |     |     |     |     | 77  | 77  |
| 2-1/2"      | 1/2"     | 3/8"   | 1/4"   | 8A   |     |     |     |     | 61  | 63  |
|             | 1-1/4"   | 1"     | 3/4"   | 5/8" | 25A | 20A | 15A | 10A | 72  | 71  |
|             | 2"       | 1-1/2" | 50A    | 40A  | 32A |     |     |     | 90  | 83  |
| 3"          | 1/2"     | 3/8"   | 1/4"   | 8A   |     |     |     |     | 61  | 71  |
|             | 1-1/4"   | 1"     | 3/4"   | 5/8" | 25A | 20A | 15A | 10A | 72  | 79  |
|             | 2"       | 1-1/2" | 50A    | 40A  | 32A |     |     |     | 90  | 90  |
|             | 2-1/2"   | 65A    |        |      |     |     |     |     | 97  | 97  |
| 4"          | 1/2"     | 3/8"   | 1/4"   | 8A   |     |     |     |     | 61  | 87  |
|             | 1-1/4"   | 1"     | 3/4"   | 5/8" | 25A | 20A | 15A | 10A | 72  | 95  |
|             | 2"       | 1-1/2" | 50A    | 40A  | 32A |     |     |     | 90  | 105 |
|             | 3"       | 2-1/2" | 80A    | 65A  |     |     |     |     | 110 | 110 |
| 5"          | 1/2"     | 3/8"   | 1/4"   | 8A   |     |     |     |     | 70  | 100 |
|             | 1-1/4"   | 1"     | 3/4"   | 5/8" | 25A | 20A | 15A | 10A | 90  | 110 |
|             | 2"       | 1-1/2" | 50A    | 40A  | 32A |     |     |     | 110 | 120 |
|             | 4"       | 3"     | 2-1/2" | 100A | 80A | 65A |     |     | 140 | 140 |
| 6"          | 1/2"     | 3/8"   | 1/4"   | 8A   |     |     |     |     | 80  | 115 |
|             | 1-1/4"   | 1"     | 3/4"   | 5/8" | 25A | 20A | 15A | 10A | 100 | 125 |
|             | 2"       | 1-1/2" | 50A    | 40A  | 32A |     |     |     | 120 | 135 |
|             | 4"       | 3"     | 2-1/2" | 100A | 80A | 65A |     |     | 140 | 145 |
|             | 5"       | 125A   |        |      |     |     |     | 160 | 160 |     |