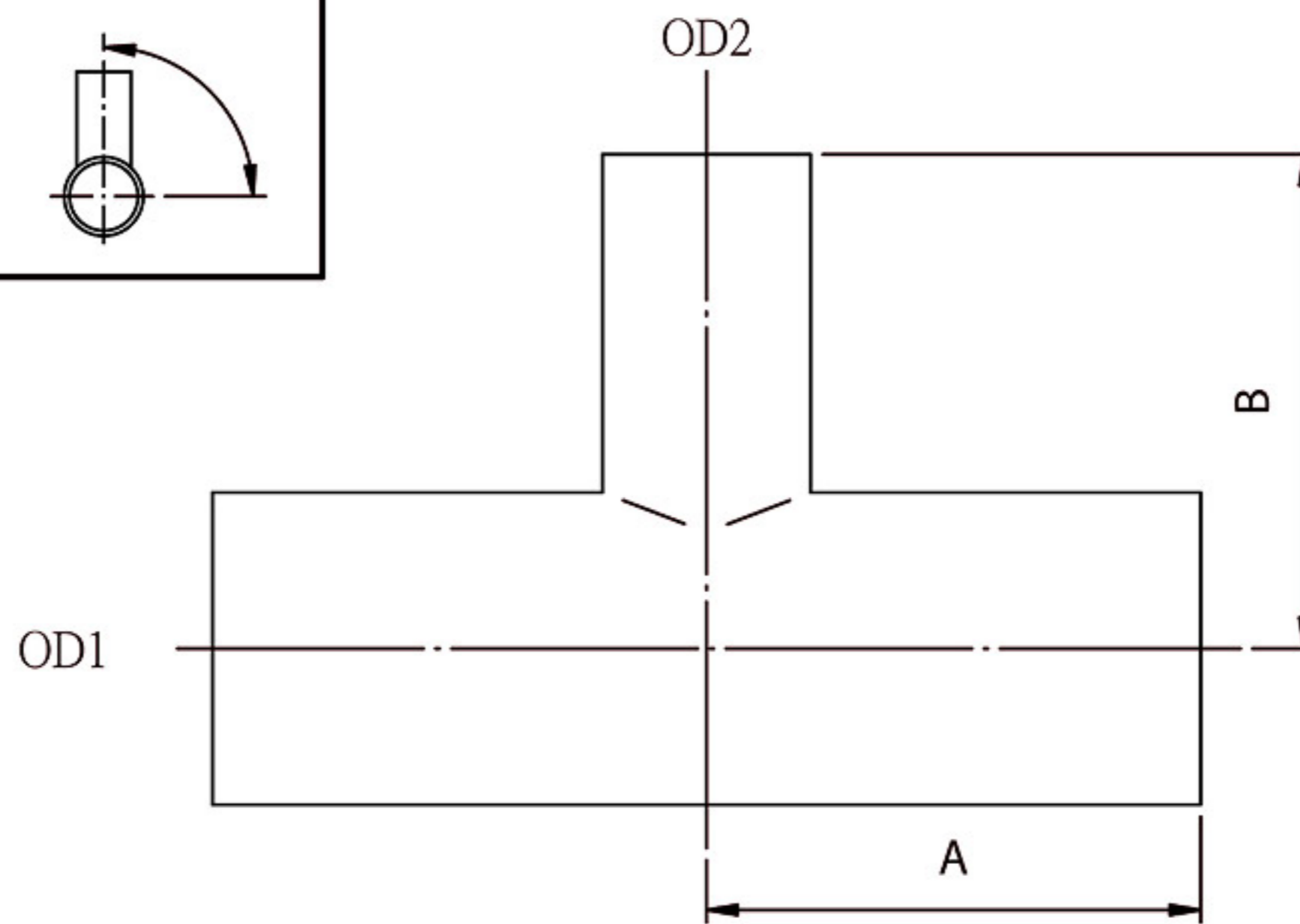
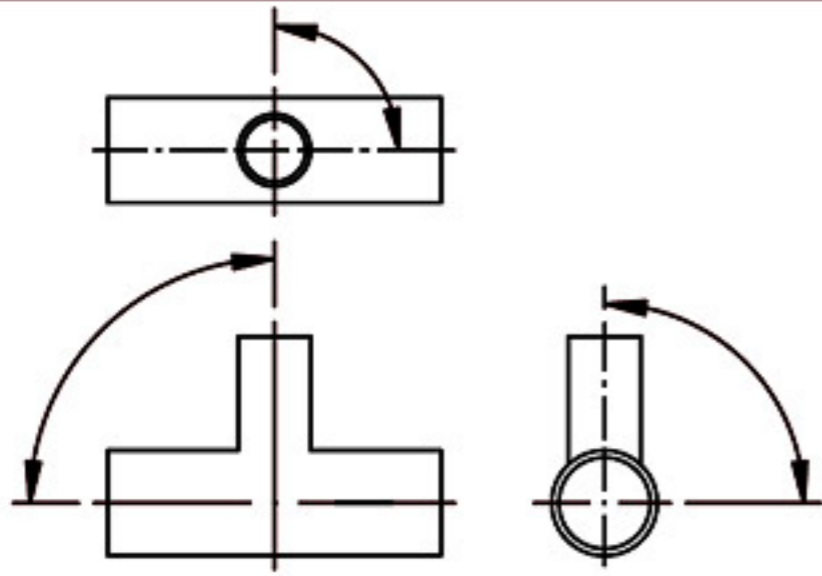


Gilson Enterprise Co.,Ltd

REDUCING TEE

水平度及垂直度公差皆為±0.3°

PIPE SIZE(A-SIZE)



SIZE OD1	SIZE OD2								A	B
	1/2"	3/8"	1/4"							
8A	1/2"	3/8"	1/4"						42	42
10A	8A	1/2"	3/8"	1/4"					47	44
15A	8A	1/2"	3/8"	1/4"					47	44
	10A	3/4"	5/8"						52	52
20A	8A	1/2"	3/8"	1/4"					47	47
	15A	10A	1"	3/4"	5/8"				55	55
25A	8A	1/2"	3/8"	1/4"					47	50
	20A	15A	10A	1-1/4"	1"	3/4"	5/8"		59	59
32A	8A	1/2"	3/8"	1/4"					57	54
	25A	20A	15A	10A	1-1/4"	1"	3/4"	5/8"	68	62
40A	8A	1/2"	3/8"	1/4"					57	57
	25A	20A	15A	10A	1-1/4"	1"	3/4"	5/8"	68	65
	32A	1-1/2"							77	77
50A	8A	1/2"	3/8"	1/4"					57	63
	25A	20A	15A	10A	1-1/4"	1"	3/4"	5/8"	68	71
	40A	32A	2"	1-1/2"					83	83
65A	8A	1/2"	3/8"	1/4"					61	71
	25A	20A	15A	10A	1-1/4"	1"	3/4"	5/8"	72	79
	50A	40A	32A	2"	1-1/2"				88	90
	2-1/2"								97	97
80A	8A	1/2"	3/8"	1/4"					61	77
	25A	20A	15A	10A	1-1/4"	1"	3/4"	5/8"	72	85
	50A	40A	32A	2"	1-1/2"				88	96
	65A	3"	2-1/2"						103	103
100A	8A	1/2"	3/8"	1/4"					61	90
	25A	20A	15A	10A	1-1/4"	1"	3/4"	5/8"	72	98
	50A	40A	32A	2"	1-1/2"				88	109
	80A	65A	4"	3"	2-1/2"				116	116
125A	8A	1/2"	3/8"	1/4"					80	110
	25A	20A	15A	10A	1-1/4"	1"	3/4"	5/8"	100	120
	50A	40A	32A	2"	1-1/2"				120	130
	100A	80A	65A	4"	3"	2-1/2"			140	140
	5"								160	160
150A	8A	1/2"	3/8"	1/4"					90	130
	25A	20A	15A	10A	1-1/4"	1"	3/4"	5/8"	110	140
	50A	40A	32A	2"	1-1/2"				130	150
	100A	80A	65A	4"	3"	2-1/2"			150	160
	125A	5"							170	170
200A	8A	1/2"	3/8"	1/4"					100	150
	25A	20A	15A	10A	1-1/4"	1"	3/4"	5/8"	120	160
	50A	40A	32A	2"	1-1/2"				140	170
	100A	80A	65A	4"	3"	2-1/2"			160	180
	150A	125A	6"	5"					180	190