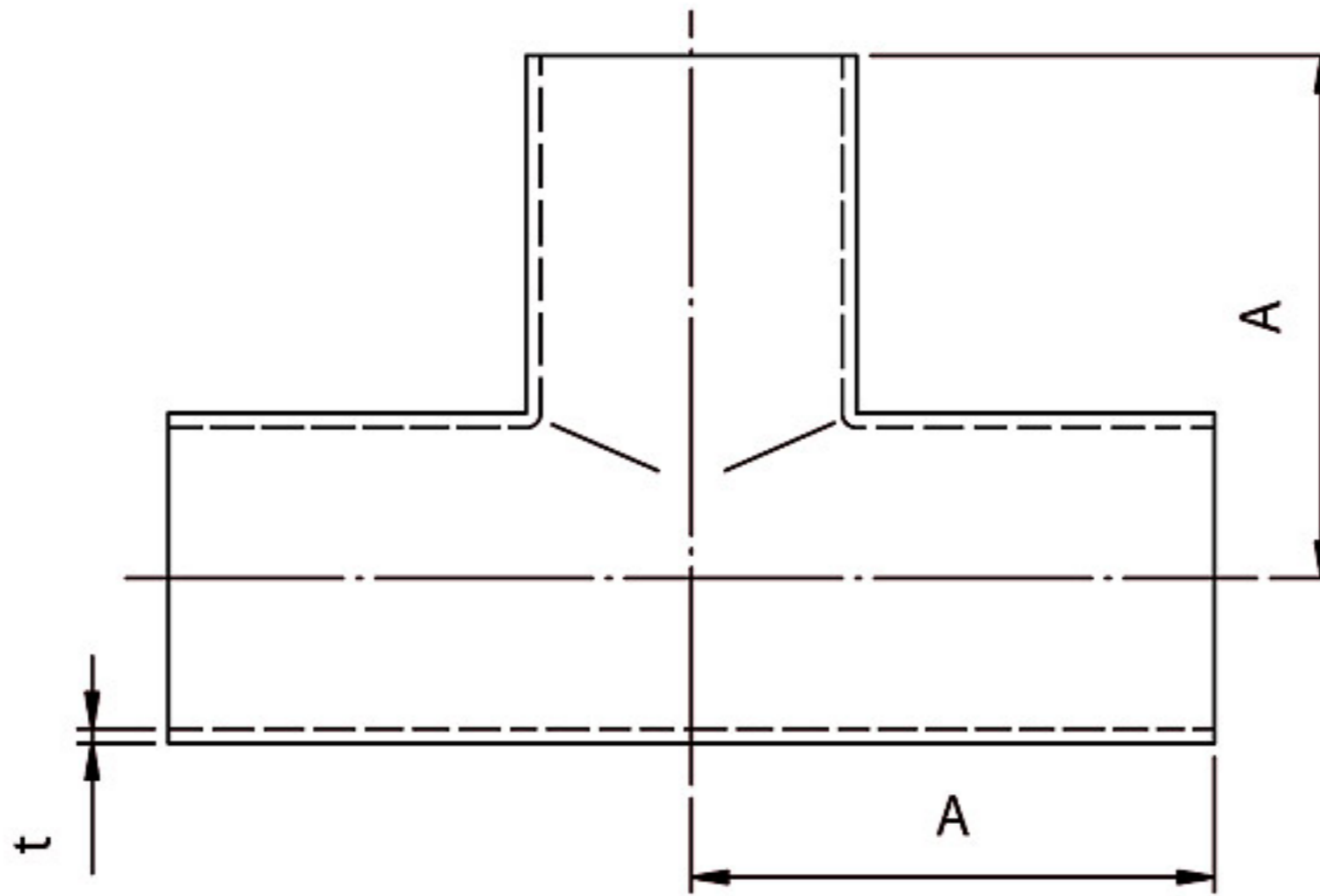
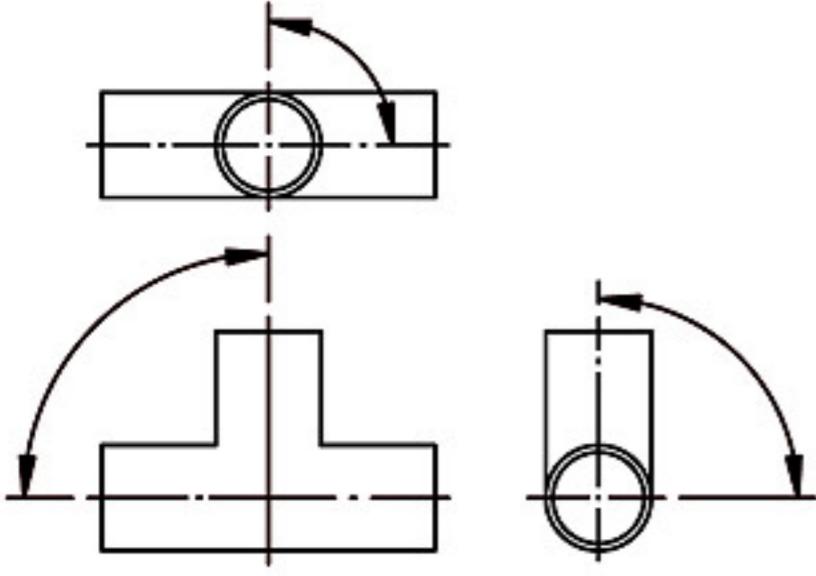


Gillson Enterprise Co.,Ltd

EQUAL TEE

水平度及垂直度公差皆為 $\pm 0.3^\circ$

TUBE SIZE(INCH-SIZE)



SIZE O.D	t	A	SIZE O.D	t	A
1/4"	1.0	35	1-1/2"	1.65	74
3/8"	1.0	37	2"	1.65	77
1/2"	1.0	39	2-1/2"	1.65	90
5/8"	1.0	49	3"	1.65	97
3/4"	1.24	52	4"	2.11	110
1"	1.65	55	6"	2.77	160
1-1/4"	1.65	59			