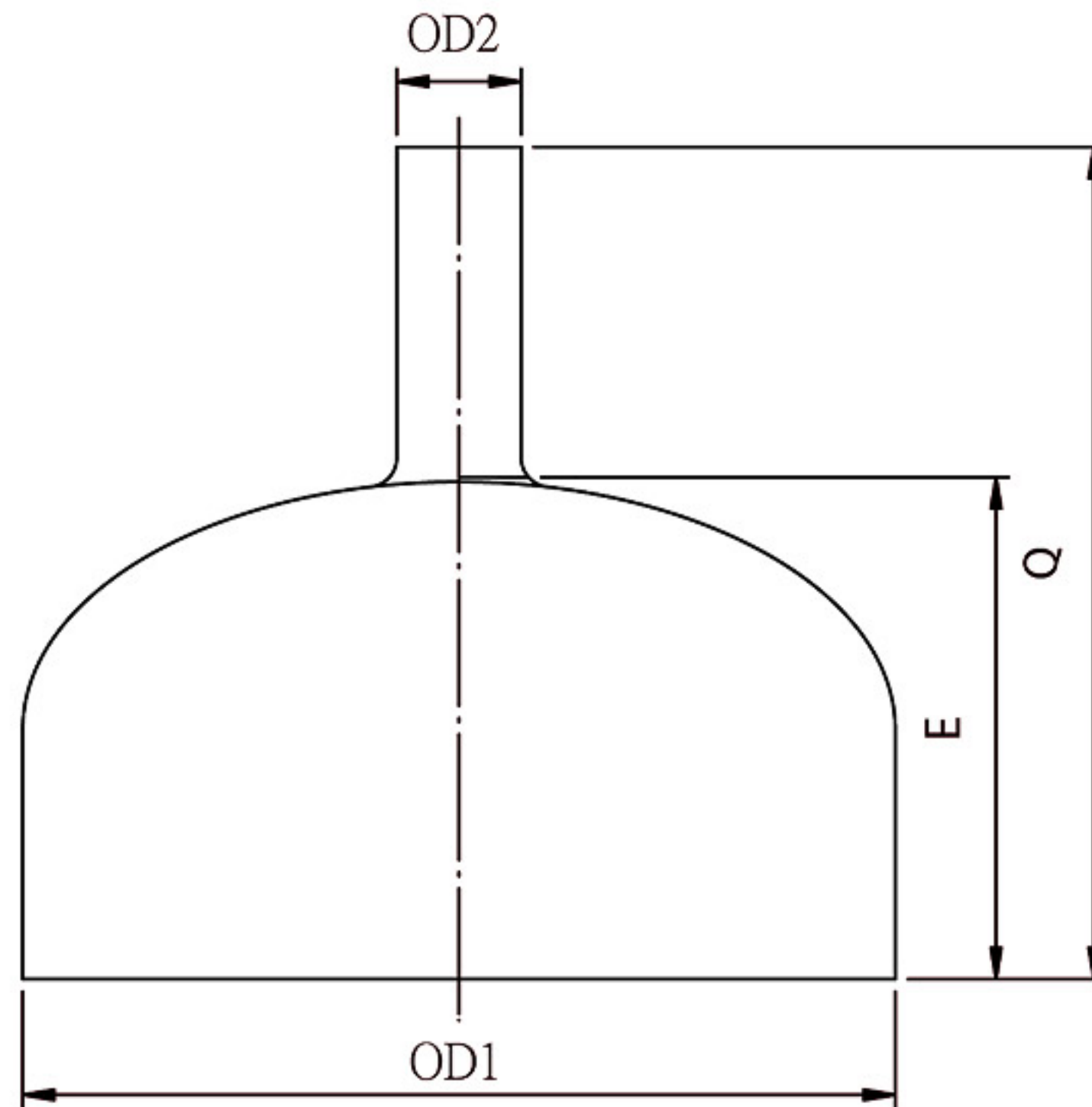


# Gilson Enterprise Co.,Ltd

## CAP REDUCER

PIPE SIZE(A-SIZE)



SIZE OD1	SIZE OD2								E	Q
8A	1/2"	3/8"	1/4"							
10A	8A	1/2"	3/8"	1/4"						
15A	8A	1/2"	3/8"	1/4"				25.4	60	
	10A	3/4"	5/8"						(67)	
20A	8A	1/2"	3/8"	1/4"				25.4	60	
	15A	10A	1"	3/4"	5/8"				67	
25A	8A	1/2"	3/8"	1/4"				38.1	73	
	20A	15A	10A	1-1/4"	1"	3/4"	5/8"		(80)	
32A	8A	1/2"	3/8"	1/4"				38.1	73	
	25A	20A	15A	10A	1-1/4"	1"	3/4"		5/8"	80
40A	8A	1/2"	3/8"	1/4"				38.1	73	
	25A	20A	15A	10A	1-1/4"	1"	3/4"		5/8"	80
	32A	1-1/2"							(90)	
50A	8A	1/2"	3/8"	1/4"				38.1	73	
	25A	20A	15A	10A	1-1/4"	1"	3/4"		5/8"	80
	40A	32A	2"	1-1/2"					(90)	
65A	8A	1/2"	3/8"	1/4"				38.1	73	
	25A	20A	15A	10A	1-1/4"	1"	3/4"		5/8"	80
	50A	40A	32A	2"	1-1/2"				(90)	
	2-1/2"								(100)	
80A	8A	1/2"	3/8"	1/4"				50.8	85	
	25A	20A	15A	10A	1-1/4"	1"	3/4"		5/8"	92
	50A	40A	32A	2"	1-1/2"				102	
	65A	3"	2-1/2"						(110)	
100A	8A	1/2"	3/8"	1/4"				63.5	98	
	25A	20A	15A	10A	1-1/4"	1"	3/4"		5/8"	105
	50A	40A	32A	2"	1-1/2"				115	
	80A	65A	4"	3"	2-1/2"				(125)	
125A	8A	1/2"	3/8"	1/4"				76.2	120	
	25A	20A	15A	10A	1-1/4"	1"	3/4"		5/8"	130
	50A	40A	32A	2"	1-1/2"				140	
	100A	80A	65A	4"	3"	2-1/2"			150	
	5"								(160)	
150A	8A	1/2"	3/8"	1/4"				88.9	130	
	25A	20A	15A	10A	1-1/4"	1"	3/4"		5/8"	140
	50A	40A	32A	2"	1-1/2"				150	
	100A	80A	65A	4"	3"	2-1/2"			160	
	125A	5"							(170)	
200A	8A	1/2"	3/8"	1/4"				101.6	140	
	25A	20A	15A	10A	1-1/4"	1"	3/4"		5/8"	150
	50A	40A	32A	2"	1-1/2"				160	
	100A	80A	65A	4"	3"	2-1/2"			170	
	150A	125A	6"	5"				(180)		